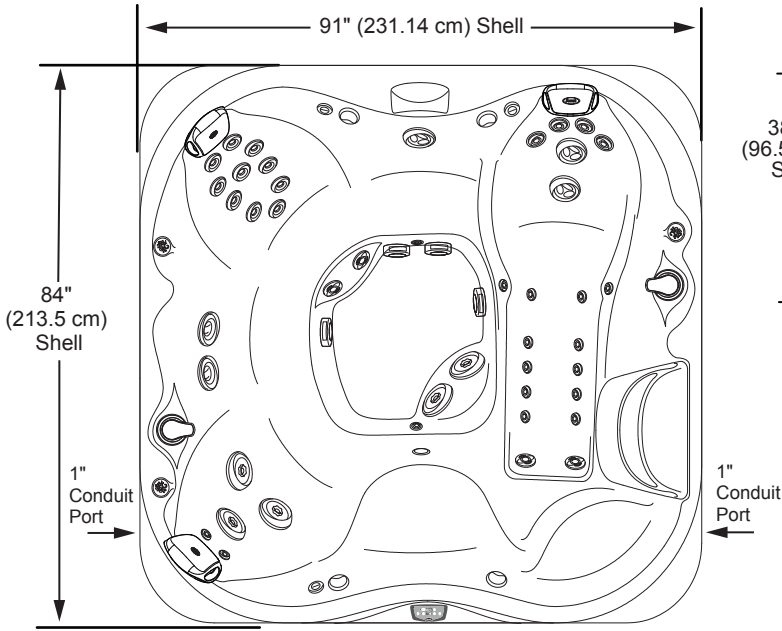


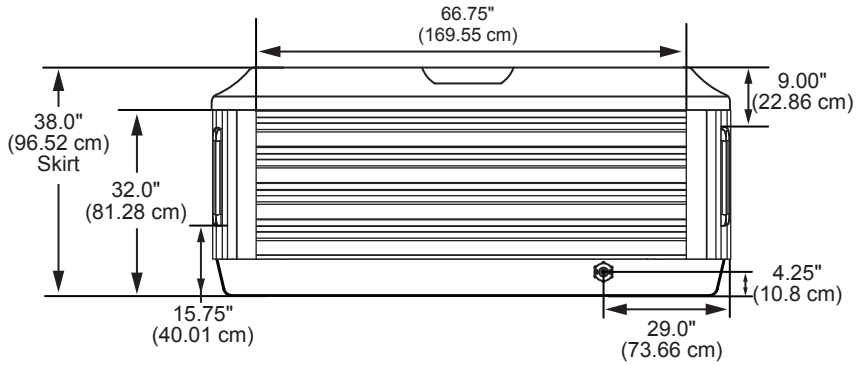
TOP VIEW



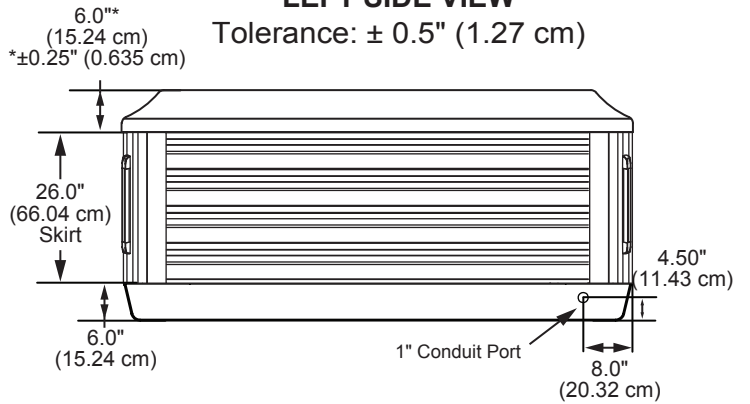
FRONT

Equipment Bay/Pump Access
CLEARRAY, Optional BLUEWAVE,
and Optional SmartTub Module
behind skirt panels

FRONT/BACK VIEW
Tolerance: $\pm 0.5"$ (1.27 cm)



LEFT SIDE VIEW
Tolerance: $\pm 0.5"$ (1.27 cm)



IMPORTANT! Always measure each hot tub for exact dimensions BEFORE designing its foundational support and/or decking.



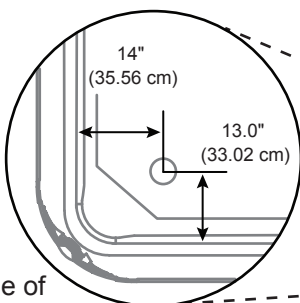
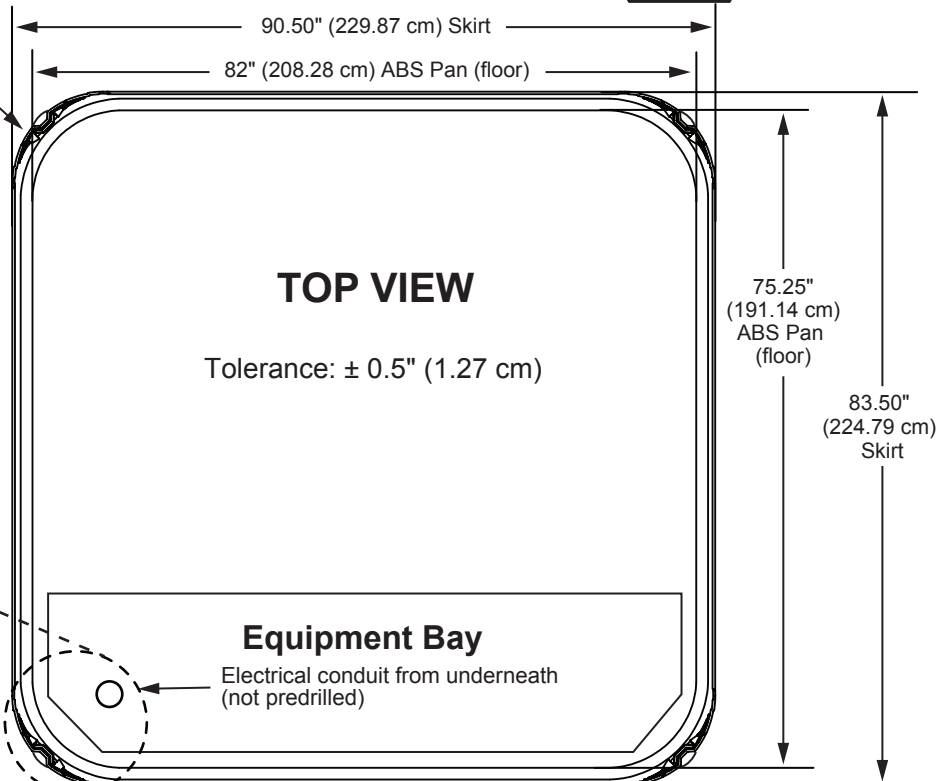
Important Panel Details

NOTE: Over time the panel(s) may bow, this is considered normal. The panels will straighten out when reinstalled into the mounting channel. Place one end of the panel into the channel first then flatten the panel and insert the other end.

4 x $\approx R13.0"$
($\approx R33.02$ cm)
Skirt

TOP VIEW

Tolerance: $\pm 0.5"$ (1.27 cm)



From the edge of the ABS pan